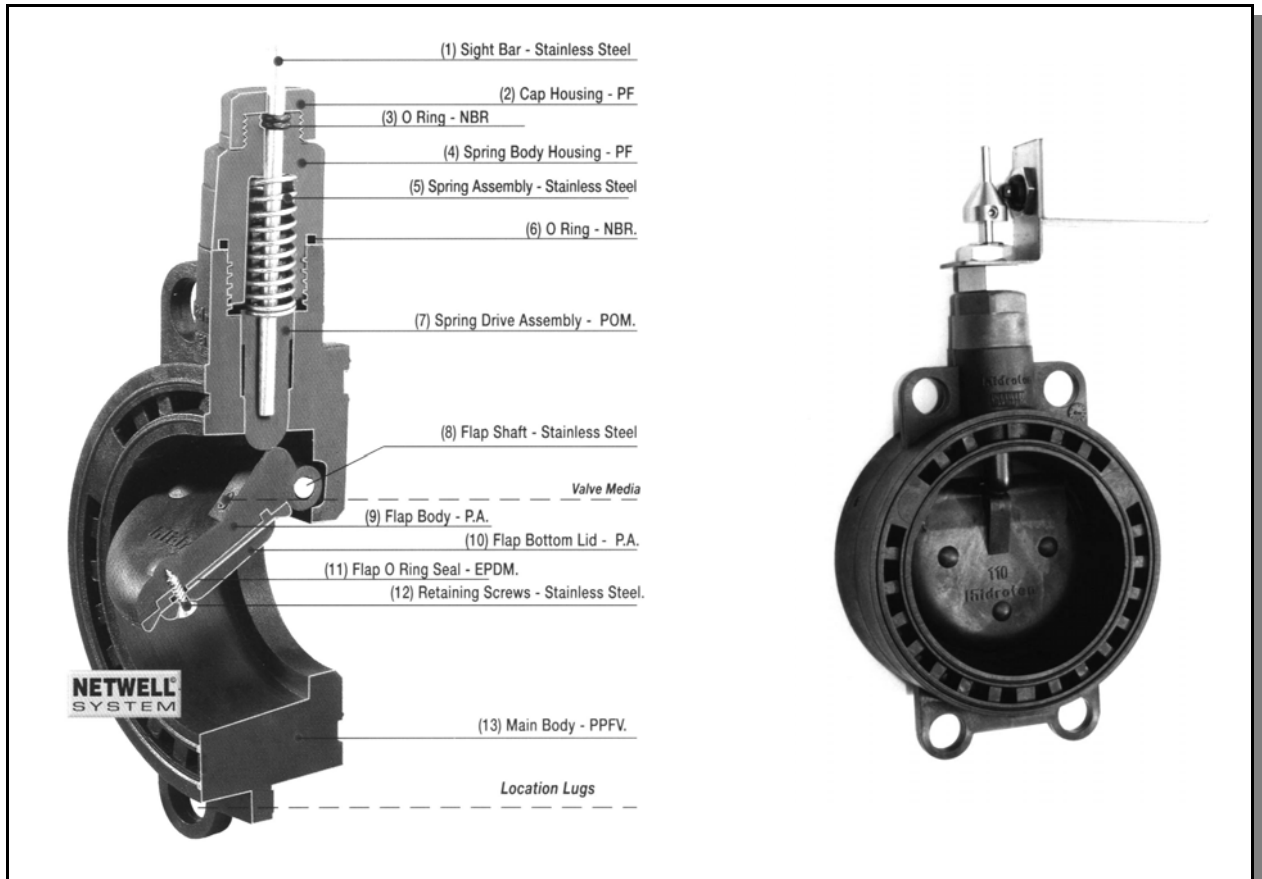




Wafer Check Valves

80 – 200 mm (3" - 8")
With Flow Indicating Stem
& Micro-switch

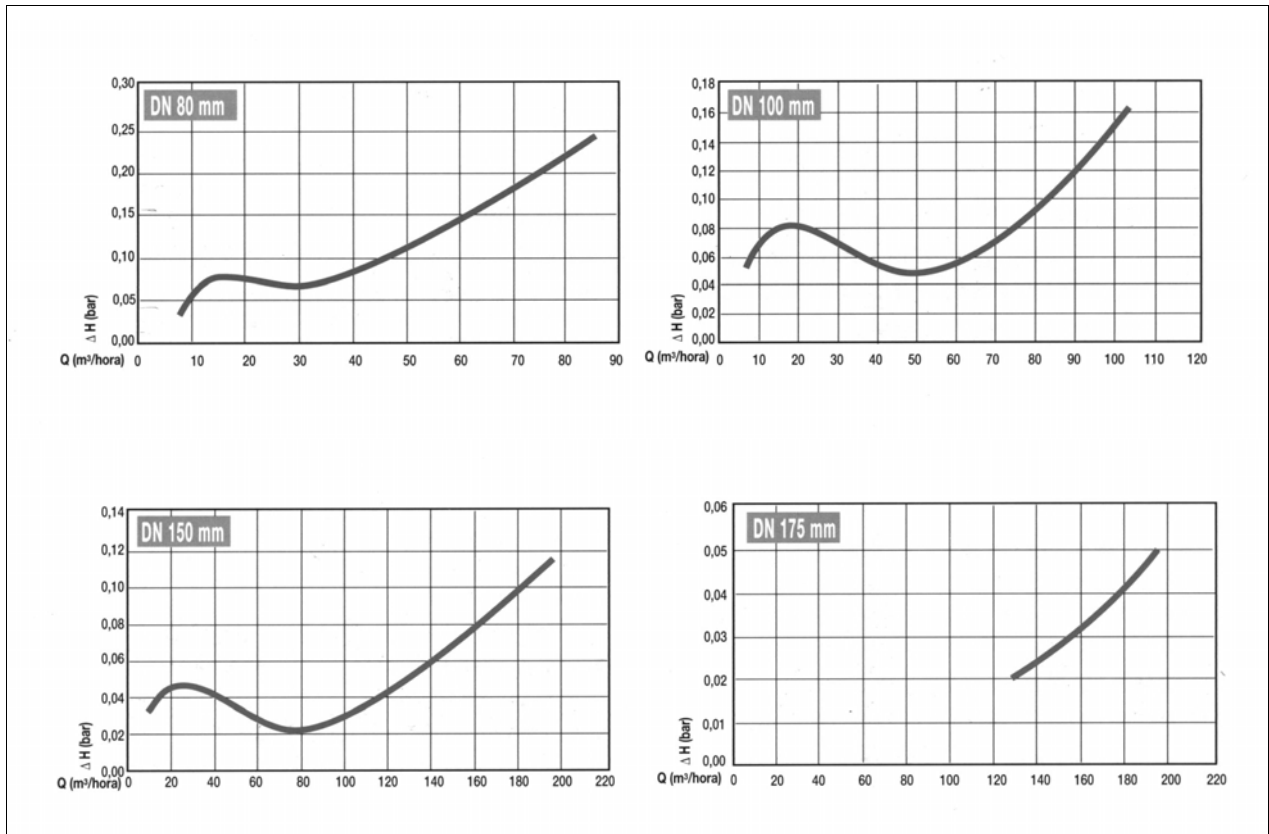


Triangle Filtration & Irrigation now has a comprehensive range of corrosion resistant wafer check valves available. Features include:

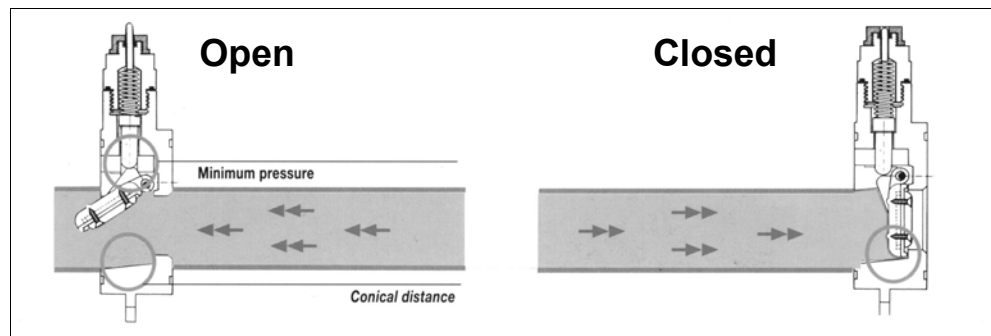
- Standard valve comes with an indicating stem/rod that protrudes from the valve for flow indication.
- Micro-switch attachment can be fitted for flow switching/monitoring use. e.g. Pump loose of prime.
- Alternative to paddle type flow switches.
- The switching set point of the micro-switch can be easily adjusted to suit individual applications.
- Corrosion/chemical resistant materials of construction, including polypropylene, St/St and EPDM seat.
- Fits between two flanges for compact installation.
- Flange gaskets included.

Technical Details

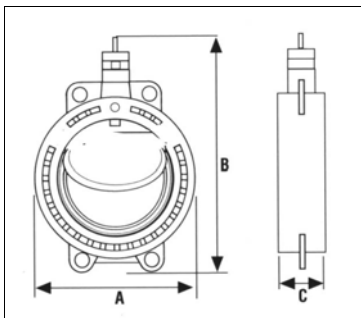
Head Loss Vs Flow Graphs



Operation



Dimensions



Nominal Size	A	B	B	C	Weight	Pressure
80 – 3	130	236	286	58	0.64	PN16
100 – 4	151	257	307	58	0.83	PN16
150 – 6	217	312	362	80	2.06	PN10
200 – 8	250	344	395	89	2.95	PN10



Triangle Waterquip
 13 HINKLER ROAD
 MORDIALLOC VIC 3195
 PH:9580 212 W: www.trianglewaterquip.com.au