



25-80mm (1"-3") Glass Reinforced Nylon Hydraulic Valves



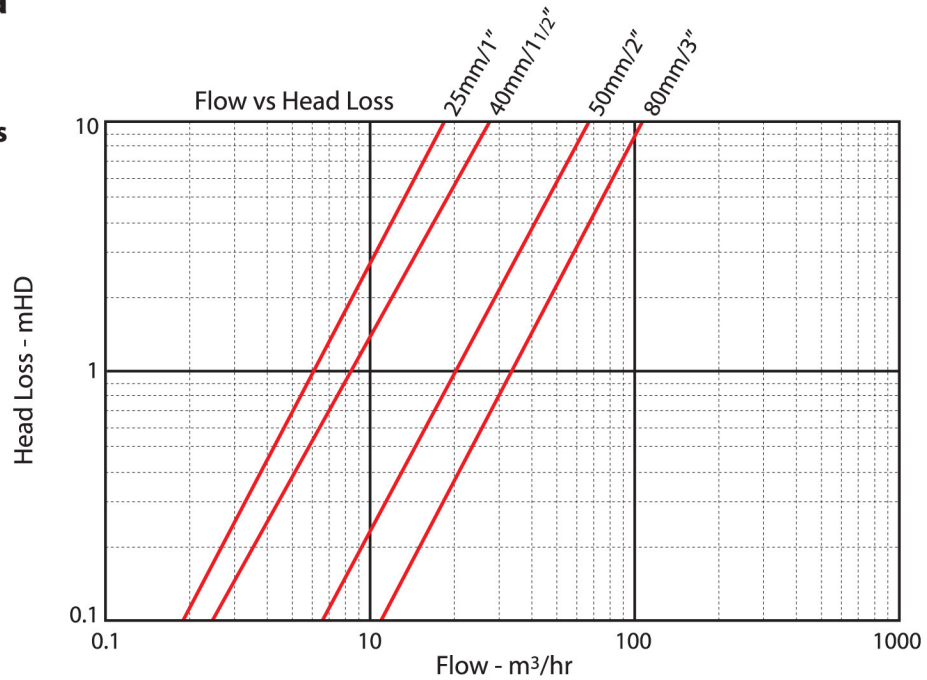
TRIANGLE now offer the latest injection moulded 3 way hydraulic control valves designed and manufactured by Cometal. These valves are suitable for all types of agricultural irrigation and some industrial applications and offer the following features:

- ▲ Patented diaphragm seating for extra stability and reliability.
- ▲ Standard PN10 (1000 kPa) rating.
- ▲ Easy servicing and disassembly of the diaphragm.
- ▲ 2 year warranty.
- ▲ Size range is 25, 40, 50 & 80 mm (1", 1 1/2", 2" & 3") BSP-FM threaded connections.
- ▲ Made from corrosion resistant materials. Glass reinforced nylon body and cover, natural rubber, nylon reinforced fabric diaphragm, stainless steel spring, cover bolts and captured nuts.
- ▲ Head loss data and hydrostatic test comply to ISO standards.
- ▲ Versatile application. Can be plumbed for all types of duties including: Manual control with 3 way tap, electric solenoid control, pressure reducing, pressure sustaining/relief, tank filling/float control, etc.

25-80mm (1"-3") Glass Reinforced Nylon Hydraulic Valves

Technical Data

Friction Head Loss

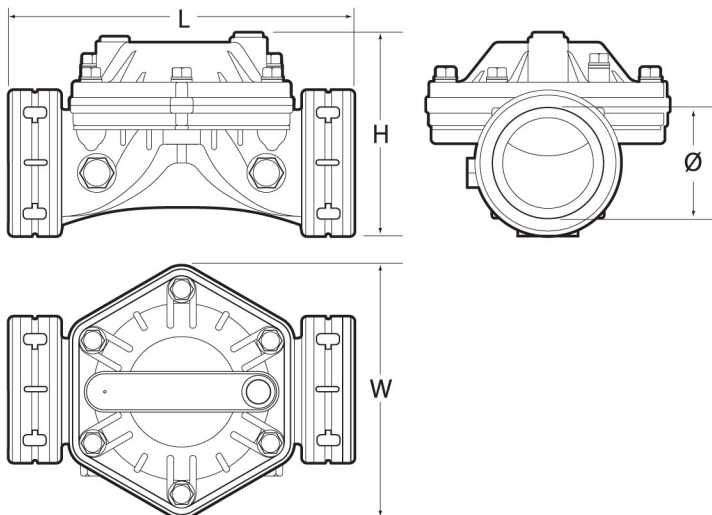


Specifications

Nominal Size Ø (mm/inch)	Catalogue Number	Length L	Width W	Height H	Weight Kg	Control Chamber Volume Lt
25mm/1"	VHP25	135	90	64	0.26	0.01
40mm/1 1/2"	VHP40	140	90	81	0.32	0.03
50mm/2"	VHP50	186	135	110	0.76	0.05
80mm/3"	VHP80	210	146	138	1.00	0.13

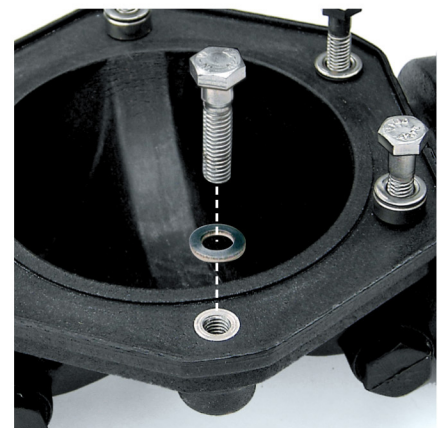
* Minimum pressure to open valves fully is 100kPa * Low pressure opening 40kPa, PN4 diaphragms available on request

Dimensions



Protection

Metal inserts embedded in moulding to eliminate stripped threads



TRIANGLE FILTRATION & IRRIGATION

ABN 31 007 023 323
 17 Hinkler Road,
 Mordialloc, Vic. 3195, Australia.
 Phone: (03) 9580 2122
 Fax: (03) 9580 3131
 Email: triangle@trianglefiltration.com.au
 www.trianglefiltration.com.au

AVAILABLE FROM