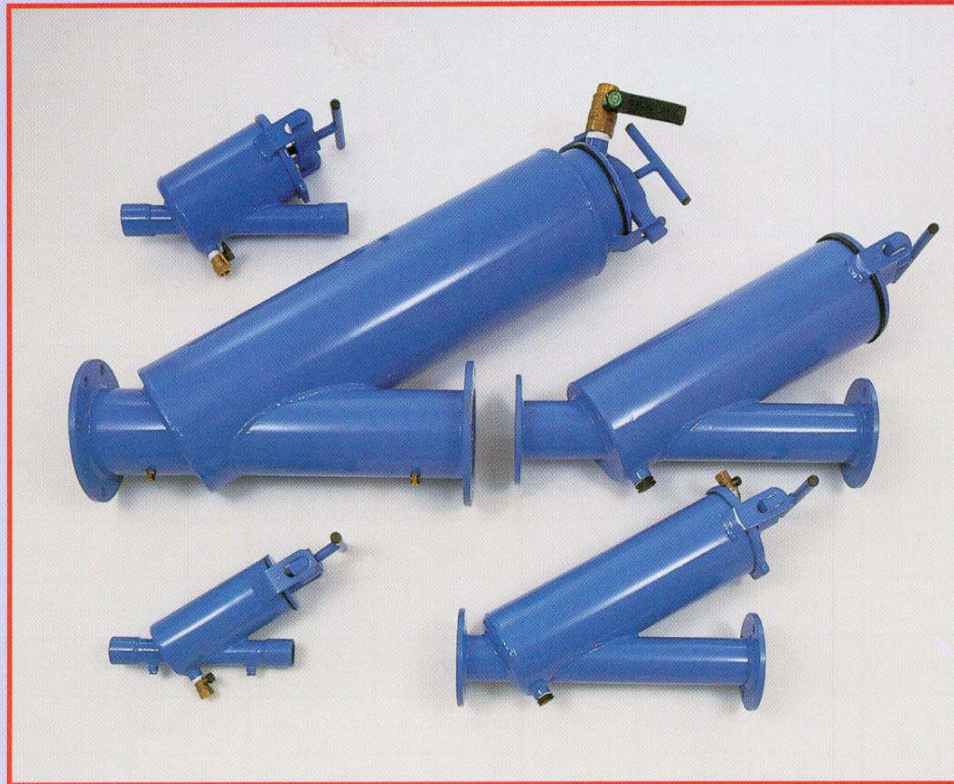


TRIANGLE

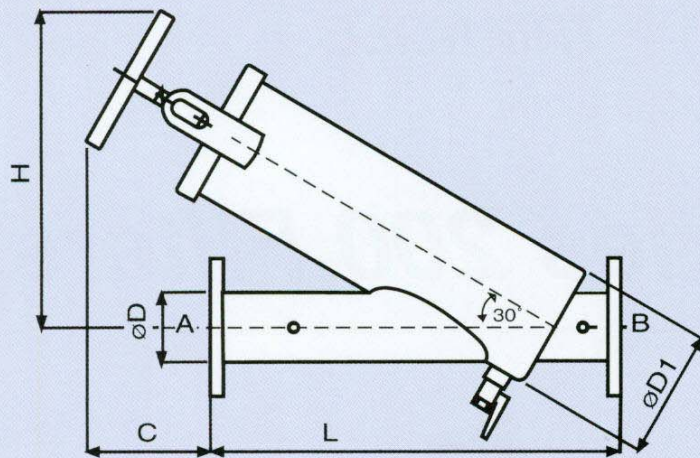
1 1/2" - 6" Series 200 Filters



Triangle Filtration's range of in-line 1 1/2"- 6" steel bodied, epoxy coated filters are suitable for agricultural and industrial applications, and feature:

- *High quality steel construction, with a corrosion resistant oven cured epoxy coating, with a minimum thickness of 130 micron.*
- *Mesh & Disc elements are available in a large variety of aperture sizes to suit each individual requirement.*
- *Quick and easy access for cleaning of the filter element, via a clamped cover.*
- *Rigid filter elements are constructed of stainless steel mesh on a perforated PVC support cylinder.*
- *Large effective filter area to reduce cleaning intervals.*

TECHNICAL DATA- SERIES 200 FILTERS



SCREEN SIZES

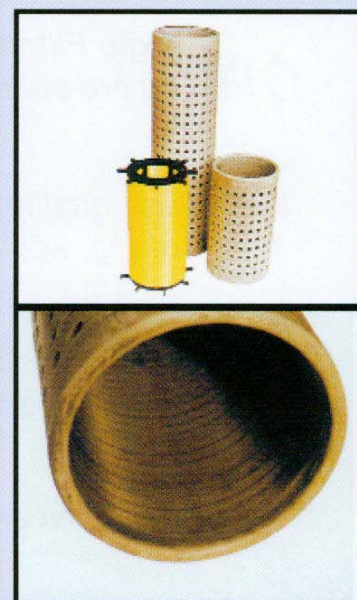
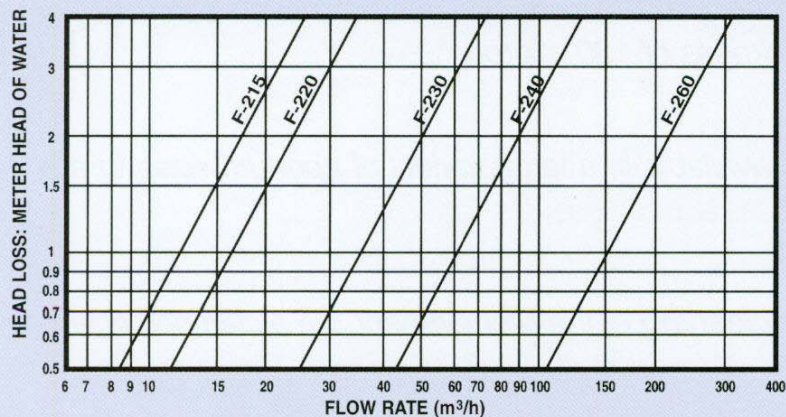
MESH	MICRON	MM	DISC COLOUR
12	1600	1.60	
20	800	0.80	
40	400	0.40	BROWN
80	200	0.20	PURPLE
120	120	0.12	RED
150	100	0.10	YELLOW
200	80	0.08	ORANGE

DIMENSIONAL DETAILS

MODEL No.	NOMINAL SIZE ϕ D		NOMINAL FLOW		FILTER AREA cm ²	DIMENSIONS				WEIGHT Kg	FLOW DIRECTION
	Inch	mm	l/sec	m ³ /hr		ϕ D1	H	C	L		
T215	1 1/2	40	4.2	15	570	114	290	140	350	7.6	A-B
T220	2	50	7.0	25	766	168	300	40	480	14.7	B-A
T220D	2	50	7.0	25	DISC 796	168	300	40	480	14.7	A-B
T230	3	80	12.5	45	1685	168	430	170	560	20.3	B-A
T230D	3	80	12.5	45	DISC 1797	168	430	170	560	20.3	A-B
T240	4	100	25.0	90	2375	219	480	200	690	30.0	B-A
T240D	4	100	25.0	90	DISC 2226	219	480	200	690	30.0	A-B
T260	6	150	47.0	170	4000	273	730	500	740	64.0	B-A

- Suffix 'D' = Disc Element.
- 1 1/2" & 2" units have BSP-FM connections, 3"- 6" are Table 'D' flanged.
- Maximum recommended operating pressure is 800 kpa.
- Stainless Steel units available on request.

HEAD LOSS GRAPH



TRIANGLE FILTRATION

AVAILABLE FROM:

A.C.N 007 023 323
17 HINKLER ROAD
BRAESIDE, VIC. 3195 AUSTRALIA